



**Electrolux**  
PROFESSIONAL

**Modular Cooking Range Line  
thermaline 80 - Full Module  
Freestanding Electric Fry Top, 1 Side,  
H=800**

ITEM # \_\_\_\_\_

MODEL # \_\_\_\_\_

NAME # \_\_\_\_\_

SIS # \_\_\_\_\_

AIA # \_\_\_\_\_



- 588372 (MAHBFAHDAO)** Electric fry top with smooth chrome plate, one-side operated
- 588376 (MAHDFAHDAO)** Electric fry top with ribbed chrome plate, one-side operated

**Short Form Specification**

**Item No.** \_\_\_\_\_

Unit constructed according to DIN 18860\_2 with 20 mm drop nose top and 70 mm recessed plinth. Internal frame for heavy duty sturdiness in 2 mm and 3 mm in 1.4301 (AISI 304). 2 mm top in 1.4301 (AISI 304). Flat surface construction, easily cleanable. THERMODUL connection system enables seamless worktop when units are connected and avoids soil penetrating. Chromium-plated mild steel cooking surface with non-stick finishing for optimal grilling. Powerblock heating system for optimal temperature distribution. Large drain hole allows draining of cooking juices into a large collector. Overheat protection switches off the supply in case of overheating. Standby function saves energy and quickly recovers maximum power. Metal knobs with embedded hygienic silicon "soft" grip enable easier handling and cleaning. IPX5 water resistant certification. Configuration: Freestanding, one-side operated.

**Main Features**

- Large drain hole on cooking surface permits the draining of residual cooking juices into a large collector placed under the cooking surface.
- Overheat protection: a temperature sensor switches off the supply in case of overheating.
- Stainless steel high splash guards on the rear and sides of cooking surface.
- Units have separate controls for each half module of the cooking surface.
- All major components may be easily accessed from the front.
- THERMODUL connection system creates a seamless work top when units are connected to each other thus avoiding soil penetrating vital components and facilitating the removal of units in case of replacement or service.
- Metal knobs with embedded hygienic "soft-touch" grip for easier handling and cleaning. The special design of the controls prevents infiltration of liquids or soil into vital components.
- Large visible digital display manufactured in tempered glass to resist heat and chemicals, showing temperatures or power settings. The display also shows on/off status of the appliance and on/off status of the heating elements.
- Powerblock heating system for optimal temperature distribution.

**Construction**

- Cooking surface to be completely smooth or completely ribbed.
- 2 mm top in 1.4301 (AISI 304).
- Unit constructed according to DIN 18860\_2 with 20 mm drop nose top and 70 mm recessed plinth.
- Flat surface construction with minimal hidden areas to easily clean all surfaces
- IPX5 water resistance certification.
- Cooking surface in chromium-plated mild steel with non-stick finishing for optimum grilling results.
- Internal frame for heavy duty sturdiness in stainless steel.

**Sustainability**



- Standby function for energy saving and fast recovery of maximum power.

**APPROVAL:** \_\_\_\_\_



Experience the Excellence  
[www.electroluxprofessional.com](http://www.electroluxprofessional.com)



### Optional Accessories

- Connecting rail kit, 800mm PNC 912500
- Stainless steel side panel (12mm), 800x800mm, freestanding PNC 912508
- Stainless steel front kicking strip, 800mm width PNC 912598
- Stainless steel side kicking strips left and right, freestanding, 800mm width PNC 912619
- Stainless steel side kicking strips left and right, back-to-back, 1600mm width PNC 912625
- Stainless steel plinth, freestanding, 800mm width PNC 912825
- Connecting rail kit, right PNC 912971
- Connecting rail kit, left PNC 912972
- Endrail kit, flush-fitting, left PNC 913109
- Endrail kit, flush-fitting, right PNC 913110
- Scraper for smooth plates (only for 588372) PNC 913119
- Scraper for ribbed plates (only for 588376) PNC 913120
- Endrail kit (12mm) for thermaline 80 units, left PNC 913200
- Endrail kit (12mm) for thermaline 80 units, right PNC 913201
- Stainless steel side panel, left, h=800 PNC 913216
- Stainless steel side panel, right, h=800 PNC 913217
- T-connection rail for back to back installations without backsplash PNC 913227
- INSERT.PROFILE,D800,TL-OTHER BRANDS PNC 913230
- - NOT TRANSLATED - PNC 913234
- - NOT TRANSLATED - PNC 913246
- - NOT TRANSLATED - PNC 913249
- - NOT TRANSLATED - PNC 913250
- - NOT TRANSLATED - PNC 913253
- - NOT TRANSLATED - PNC 913254
- - NOT TRANSLATED - PNC 913257
- - NOT TRANSLATED - PNC 913273
- - NOT TRANSLATED - PNC 913274
- - NOT TRANSLATED - PNC 913281
- - NOT TRANSLATED - PNC 913665
- STAINLESS STEEL DIVIDING PANEL 800X800MM LEFT/RIGHT PNC 913669
- ELECTRIC MAINSWITCH 25A 4mm<sup>2</sup> NM FOR MODULAR H800 ELECTRIC UNITS (FACTORY FITTED) PNC 913676
- - NOT TRANSLATED - PNC 913685

### Recommended Detergents

- \*NOT TRANSLATED\* PNC 0S2292

### Electric

- Supply voltage:** 400 V/3N ph/50/60 Hz
- Total Watts:** 15.3 kW

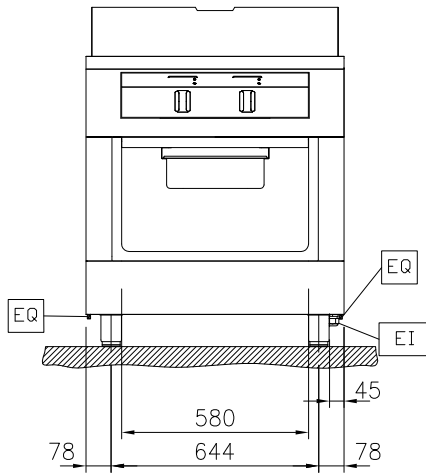
### Key Information:

- Cooking Surface Depth:** 615 mm
- Cooking Surface Width:** 700 mm
- Working Temperature MIN:** 80 °C
- Working Temperature MAX:** 280 °C
- External dimensions, Width:** 800 mm
- External dimensions, Depth:** 800 mm
- External dimensions, Height:** 800 mm
- Storage Cavity Dimensions (width):** 580 mm
- Storage Cavity Dimensions (height):** 330 mm
- Storage Cavity Dimensions (depth):** 740 mm
- Net weight:** 150 kg  
On Base;One-Side Operated
- Configuration:**
- Cooking surface type:**
- 588372 (MAHBFAHDAO)** Smooth
- 588376 (MAHDFAHDAO)** Ribbed
- Cooking surface - material:** Chromium Plated mild steel mirror

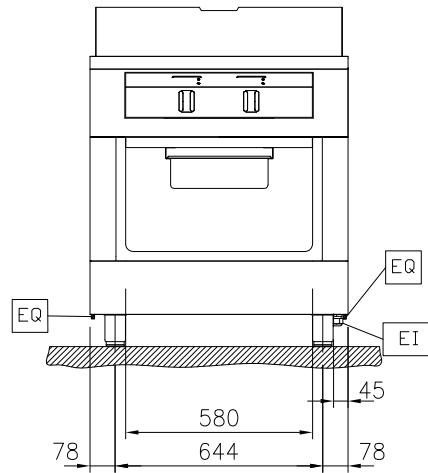
### Sustainability

- Current consumption:** 22.1 Amps

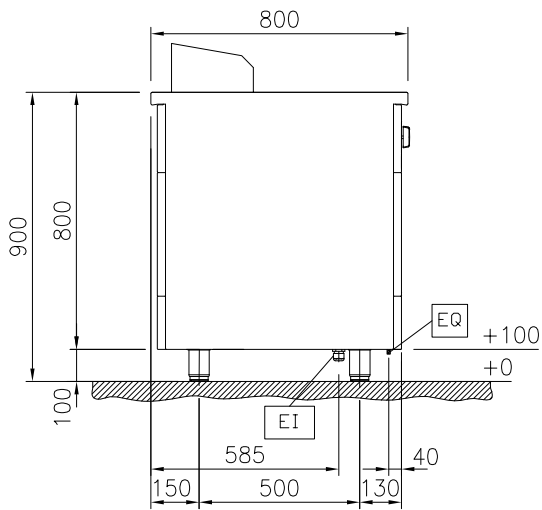
Front



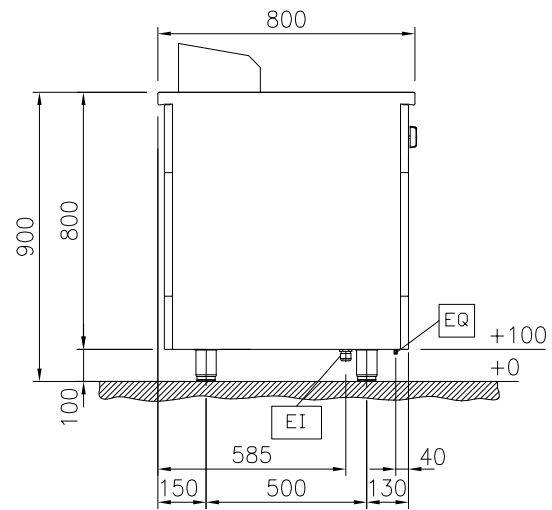
Front



Side

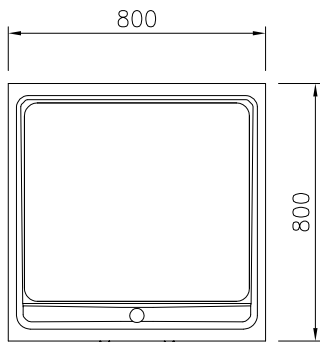


Side


 EI = Electrical inlet (power)  
 EQ = Equipotential screw

 EI = Electrical inlet (power)  
 EQ = Equipotential screw

Top



Top

